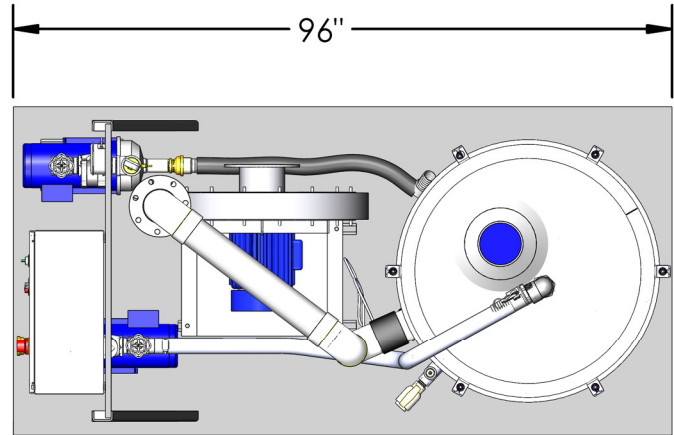


E-Z Stacker 4.4P Skid

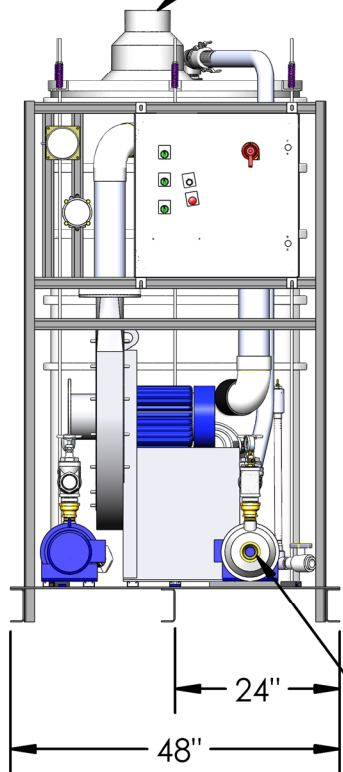
GENERAL SPECIFICATIONS

- Max. flow rate: 40GPM
- Air flow: 280CFM
- Sump working vol.: 93 gallons
- Materials of construction: HDPE, neoprene gaskets



PLAN VIEW

AIR DISCHARGE
6" PIPE

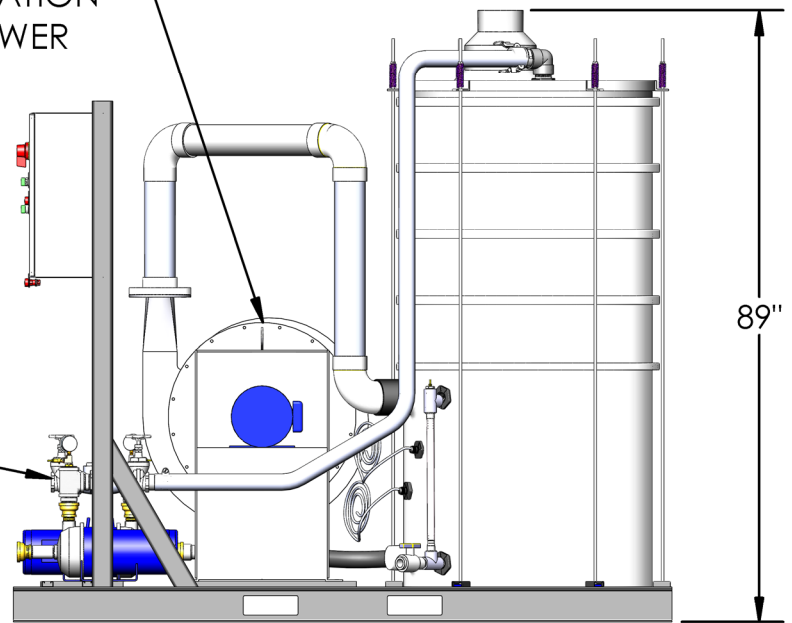


FRONT VIEW

AERATION
BLOWER

WATER
DISCHARGE
2" NPT

WATER INLET 2" NPT



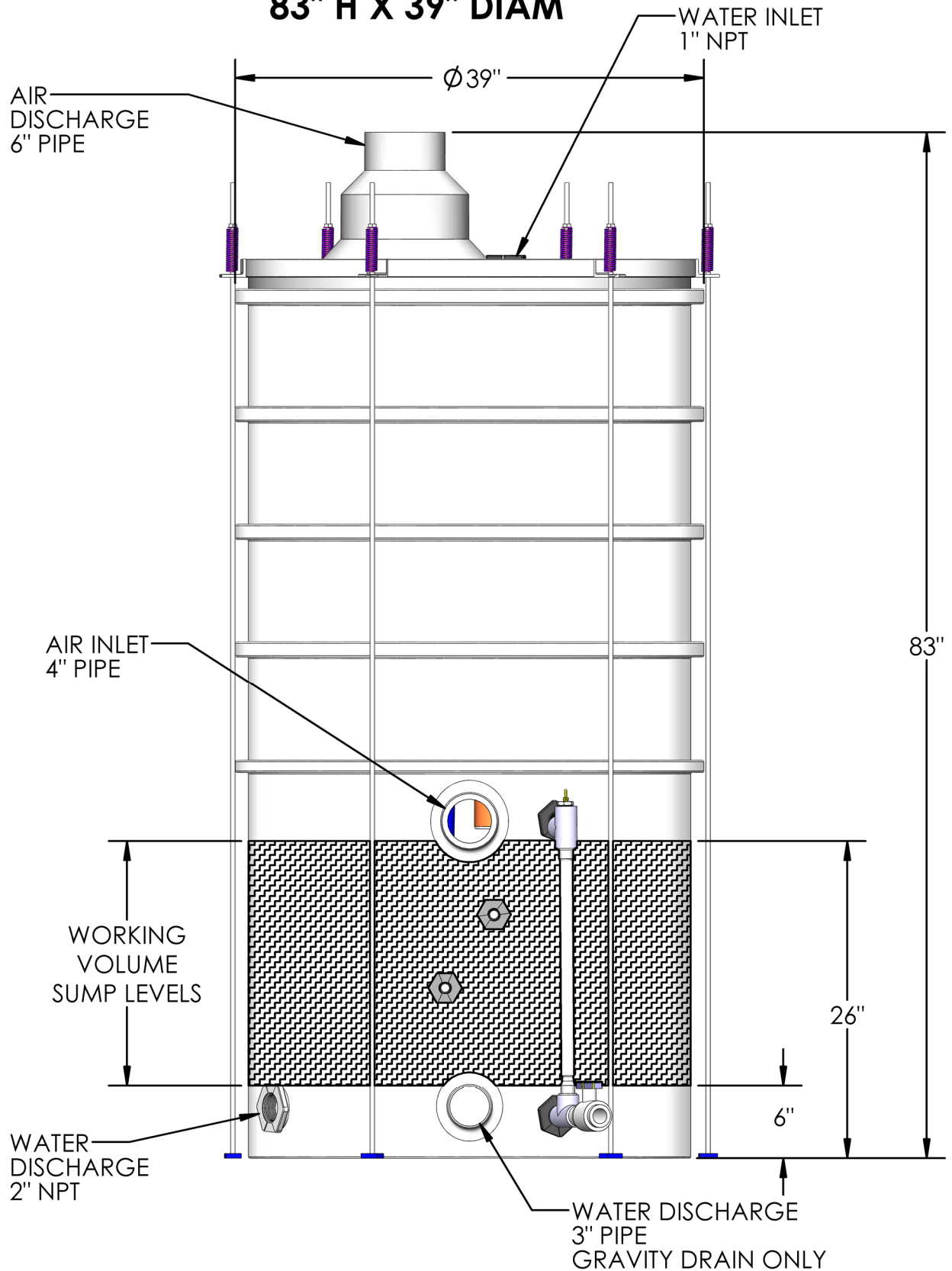
SIDE VIEW



EXAMPLE OF A SKID SYSTEM WITH CONTROL PANEL, PUMPS, AND BLOWER CONTACT QED FOR INFORMATION ON ALL OPTIONS.
NOT TO SCALE, NOT FOR CONSTRUCTION, FOR REFERENCE ONLY
LICENSED UNDER PATENT # 10,272,356 B2 AND
MORE U.S. AND NON U.S. PATENTS.

E-Z Stacker 4.4P

83" H X 39" DIAM



E-Z Stacker 4.4P STRIPPER ONLY.
CONTACT QED FOR INFORMATION ON ALL OPTIONS.
NOT TO SCALE, NOT FOR CONSTRUCTION, FOR REFERENCE ONLY
LICENSED UNDER PATENT # 10,272,356 B2 AND
MORE U.S. AND NON U.S. PATENTS.

